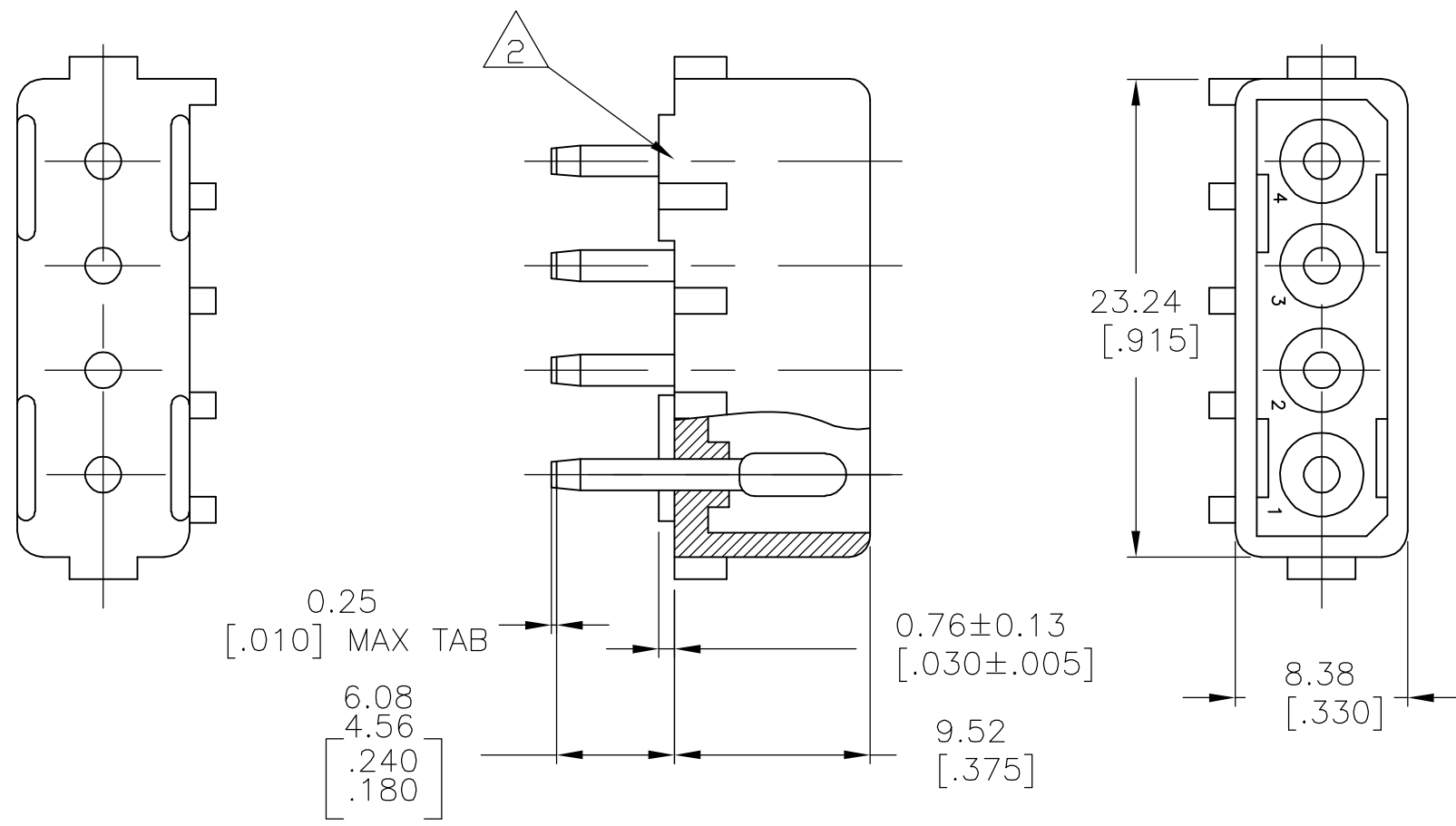
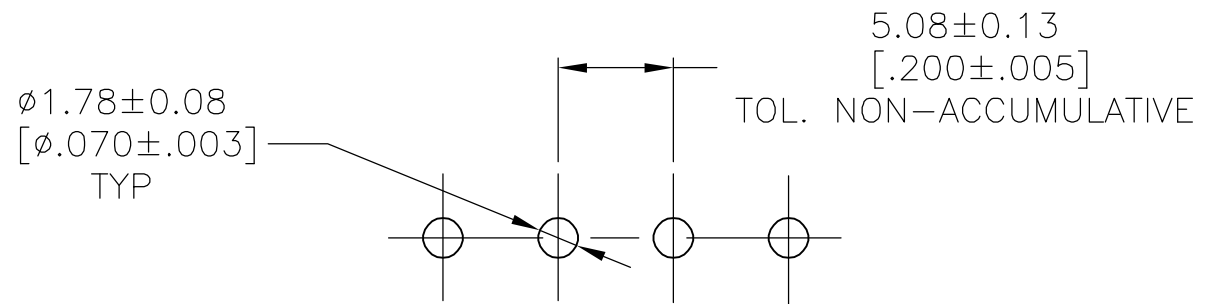


THIS DRAWING IS UNPUBLISHED. RELEASED FOR PUBLICATION
 © COPYRIGHT - BY TYCO ELECTRONICS CORPORATION. ALL RIGHTS RESERVED.

LOC	DIST	REVISIONS					
CM	0	P	LTR	DESCRIPTION	DATE	DWN	APVD
			0	RELEASED PER 0G3B-1134-04	11OCT2005	APB	DC



- 1. PARTS MUST COMPLY WITH SOLDERABILITY SPEC. 109-11-3.
- 2 SKIVED PLASTIC PERMISSIBLE IN THIS AREA.
- 3 MATERIAL- HOUSING: NYLON UL94V-2 (NATURAL). PIN: .010 THK. COPPER ALLOY (SELECT GOLD)



METRIC

1586541-2 SHOWN

RECOMMENDED LAYOUT FOR 1.575 [.062] THICK P.C. BOARD

THIS DRAWING IS A CONTROLLED DOCUMENT.		DWN	ARJUN	11OCT05	Tyco Electronics Corporation Harrisburg, PA 17105-3608		
DIMENSIONS: mm [INCHES]		CHK	D. COLEY	18OCT2005			
TOLERANCES UNLESS OTHERWISE SPECIFIED:		APVD	K. WHITAKER	18OCT2005	NAME		
0 PLC ± - 1 PLC ± - 2 PLC ± - 3 PLC ± - 4 PLC ± - ANGLES ± -		PRODUCT SPEC		4 CIRCUIT COMMERCIAL MATE-N-LOK(TM) HEADER			
MATERIAL		APPLICATION SPEC		SIZE			RESTRICTED TO
SEE TABLE	FINISH	WEIGHT		A3 00779		C=1586541	-
SEE TABLE		CUSTOMER DRAWING		SCALE	3:1	SHEET	1 OF 1
						REV	0